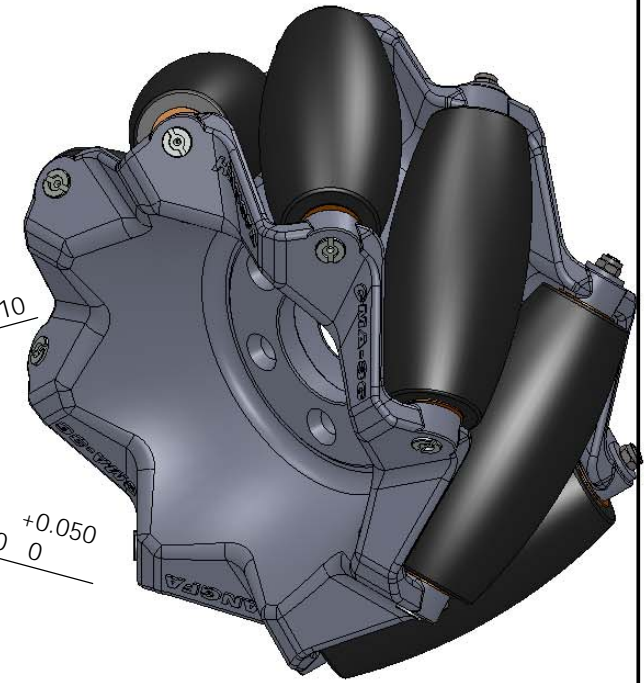
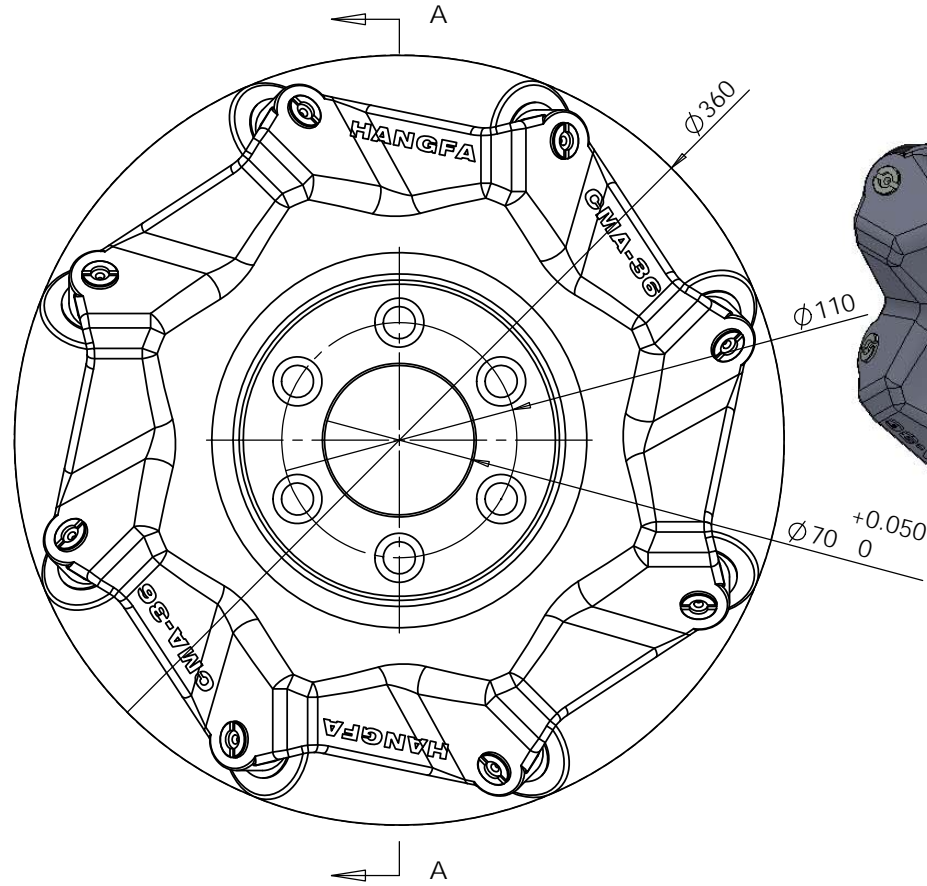
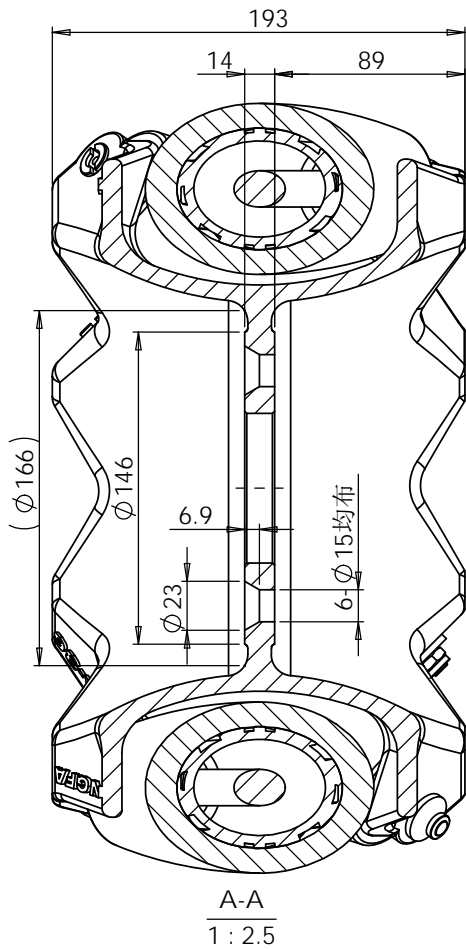


Unit: mm



CMA-36 Omniwheel

Diameter: 360
 Width: 193
 Maximum load: 1100kg

Number of rollers: 8
 Bearing: rolling bearings
 Roller material: polyurethane
 Hub material: steel
 Mount: 6-M14*1.5
 Weight: 31Kg

Patent protected

* Two types exist: CMA-66-L、CMA-66-R

UNLESS OTHERWISE SPECIFIED: DIMENSIONS ARE IN MILLIMETERS		FINISH:		DEBUR AND BREAK SHARP EDGES		DO NOT SCALE DRAWING		REVISION	
SURFACE FINISH:						HANGFA CO.,LTD		TITLE: CMA-36 OMNI WHEEL	
TOLERANCES:									
LINEAR:						DWG NO. HFOXLCMA36		A3	
ANGULAR:						SCALE:1:5		SHEET 1 OF 1	
DRAWN	NAME	SIGNATURE	DATE			MATERIAL:		WEIGHT:	
CHK'D									
APP'VD									
MFG									
Q.A									